



**Voyager<sup>BT</sup>** is a wireless, laser bar code scanner designed for low to medium throughput Point of Sale (POS) or light warehouse applications where the convenience of a wireless hand held scanner is needed.

## MS9535 **Voyager<sup>BT</sup>**™

### *Features*

- **Cable-free scanning using Bluetooth™ technology**
- **CodeGate® data transmission technology ideal for menu scanning**
- **Up to 14,000 scans per charge**
- **Adjustable volume and beeper tone**
- **Stylish recharging station, wall or countertop mounting**
- **10 meter (33') working range**
- **Supports commonly used interfaces including USB**
- **Easy programming using Windows software or bar codes**
- **Decodes RSS-14, RSS Limited and RSS Expanded bar codes**

**Metrologic's Voyager<sup>BT</sup>** offers convenience and the freedom of mobility by incorporating Bluetooth wireless technology. This latest member of the Voyager Series continues the trend of combining patented technology, high performance, and a futuristic design.

Voyager<sup>BT</sup> provides a lightweight, comfortable, and easy to use scanning solution. The patented CodeGate feature remains at the core of the scanner's functionality. The scanner wakes with a touch of the CodeGate button activating the IR sensor. After scanning a bar code, simply press the CodeGate button and the data is transmitted wirelessly to the host. Operators will find the brightly-lit laser easy to see and to line up on a

desired bar code making Voyager<sup>BT</sup> perfect for menu scanning applications.

Scanning large or heavy products can be done quickly and easily. Voyager<sup>BT</sup> offers check-out personnel the ability to scan bulky items without the need for unnecessary heavy lifting by customers or check out personnel, making for added convenience.

Voyager<sup>BT</sup> includes the ability to decode Reduced Space Symbology (RSS) bar codes. Voyager<sup>BT</sup> can be used in applications including supermarkets, hypermarkets, warehouse shopping clubs, retailers, light warehouse and manufacturing.



# MS9535 Voyager<sup>BT</sup>™

## OPERATIONAL

|                        |   |
|------------------------|---|
| Light Source           | Visible Laser Diode 650 nm ± 10 nm  |
| Laser Power            | 0.96 mW (peak)  |
| Depth of Scan Field    | 0 mm - 203 mm (0" - 8") for 0.33 mm (13 mil) bar codes  |
| Width of Scan Field    | 64 mm (2.5") @ face; 249 mm (9.8") @ 203 mm (8.0")  |
| Scan Speed             | 72 ± 2 scan lines per second  |
| Scan Pattern           | Single scan line  |
| Minimum Bar Width      | 0.127 mm (5.0 mil)  |
| Decode Capability      | Autodiscriminates all standard 1-D and RSS-14 bar codes; for other symbologies call Metrologic      |
| System Interfaces      | PC Keyboard Wedge, RS232, Light Pen Emulation, Stand Alone Keyboard, USB (low speed and full speed) |
| Print Contrast         | 35% minimum reflectance difference  |
| Number Characters Read | Up to 80 data characters  |
| Roll, Pitch, Yaw       | 42°, 68°, 52°   |
| Beeper Operation       | 7 tones or no beep  |
| Indicators (LED)       | Blue = laser on, ready to scan; yellow = in stand/battery state mode active; White = good read      |

## MECHANICAL

|             |  |
|-------------|--|
| Height      | Scanner: 198 mm (7.8"); Base: 204 mm (8.0")                            |
| Depth       | Scanner: 40 mm (1.6"); Base: 61 mm (2.4")                              |
| Width       | Scanner: Handle: 45 mm (1.8"); Head: 78 mm (3.1"); Base: 107 mm (4.2") |
| Weight      | Scanner (with battery): 200 g (7.05 oz)                                |
| Termination | Base station: 10 pin modular RJ45                                      |
| Cable       | Base station: 2.1 m (7') straight                                      |

## ELECTRICAL

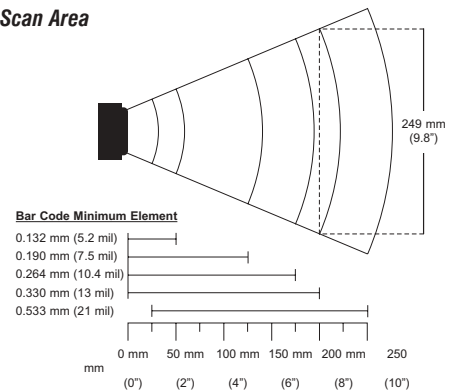
|                                |   |
|--------------------------------|---|
| Input Voltage                  | Scanner: 3.7 VDC ± 0.25 V; base station: 5 VDC ± 0.25 V           |
| Power - Operating              | Scanner: 1.1 W; base station: 500 mW                              |
| Power - Standby                | Scanner: 140 mW   |
| Current - Operating            | Scanner: 290 mA (max) @ 5 VDC; base station: 100 mA (max) @ 5 VDC |
| Current - Standby              | Scanner: 37 mA typical @ 5 VDC                                    |
| DC Transformers                | Scanner: none; base station: Class 2; 5.2 VDC @ 650 mA            |
| Laser Class                    | CDRH: Class II; IEC 60825-1:1993+A1:1997+A2:2001                  |
| EMC                            | FCC, ICES-003 & EN55022 Class B                                   |
| Battery Capacity/Recharge Time | 14000 scans per charge/recharge time=2.5 hrs                      |
| Radio Range                    | 10 m (33 ft)  |

|                       |  |
|-----------------------|--|
| Operating Temperature | 0°C to 40°C (32°F to 104°F)                        |
| Storage Temperature   | -40°C to 60°C (-40°F to 140°F)                     |
| Humidity              | 5% to 95% relative humidity, non-condensing        |
| Light Levels          | Up to 4842 Lux (450 footcandles)                   |
| Shock                 | Designed to withstand 1.5 m (5') drops             |
| Contaminants          | Sealed to resist airborne particulate contaminants |
| Ventilation           | None required                                      |

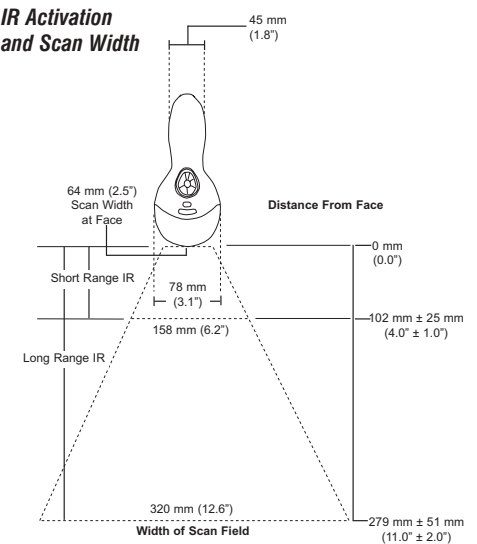
Voyager<sup>BT</sup> is available in the following colors



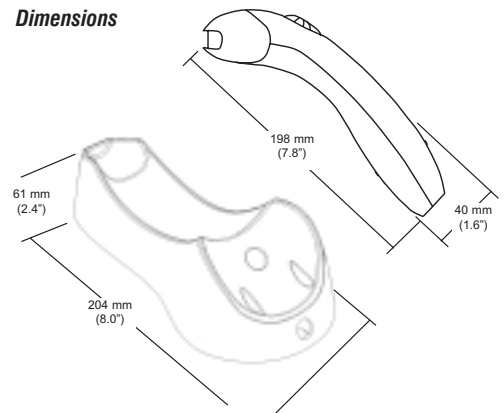
## Scan Area



## IR Activation and Scan Width



## Dimensions



Specifications subject to change without notice.  
Printed U.S.A., Copyright January 2003  
Metrologic, All rights reserved.



DS9535

### EUROPEAN REGIONAL OFFICES

**Eastern Europe, Middle East & Africa**  
Metrologic Instruments GmbH  
Tel: +49 (0) 89 89 019 222  
Fax: +49 (0) 89 89 019 173  
Email: info@east.metrologic.com  
www.europe.metrologic.com

**France**  
Metrologic Eria France SA  
Tel: +33 (0) 1 48.63.78.78  
Fax: +33 (0) 1 48.63.24.94  
Email: info@fr.metrologic.com  
www.europe.metrologic.com

**Germany**  
Metrologic Instruments GmbH  
Tel: +49 (0) 89 89 019 0  
Fax: +49 (0) 89 89 019 200  
Email: info@de.metrologic.com  
www.metrologic-instruments.de

**Italy**  
Metrologic Instruments Italia Srl  
Tel: +39 0 51 6511978  
Fax: +39 0 51 6521337  
Email: info@it.metrologic.com  
www.metrologic.it

**Spain**  
Metrologic Eria Ibérica SL  
Tel: +34 91 327 24 00  
Fax: +34 91 327 38 29  
Email: info@es.metrologic.com  
www.metrologic.es

**United Kingdom**  
Metrologic Instruments UK  
Tel: +44 (0)1256 365900  
Fax: +44 (0)1256 365955  
Email: info@uk.metrologic.com  
www.metrologic.co.uk

**USA**  
Metrologic Instruments, Inc.  
Tel: 1-800-ID-METRO  
Fax 1-856-228-6673  
Email: info@metrologic.com

**South America**  
Metrologic South America  
Tel. 5511-5505-6568  
Fax 5511-5505-1681  
Email: info@sa.metrologic.com

**Brazil (only)**  
Metrologic do Brasil Ltda.  
Tel. 5511-5505-2396  
Fax 5511-5507-2301  
Email: info@br.metrologic.com

**Asia**  
Metrologic Asia (Pte) Ltd.  
Tel. 65-842-7155  
Fax 886-3-2888292  
Email: info@sg.metrologic.com

**China (only)**  
Metro (Suzhou) Technologies Co.Ltd  
Tel: 86-512-2572511  
Fax: 86-512-2571517  
Email: info@cn.metrologic.com

